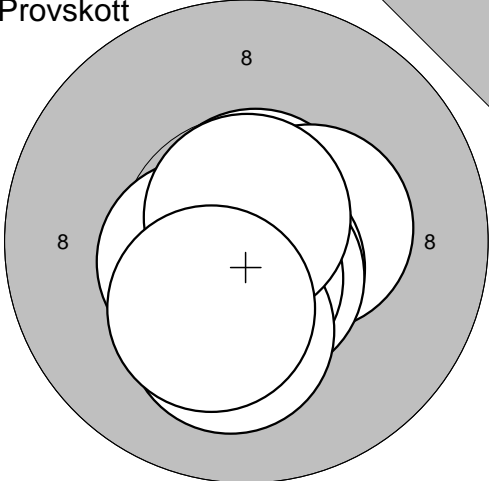
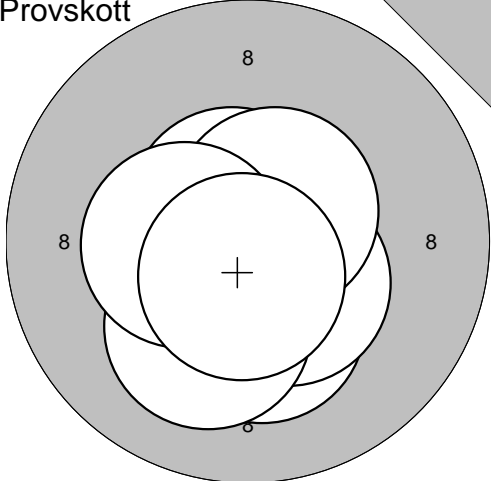
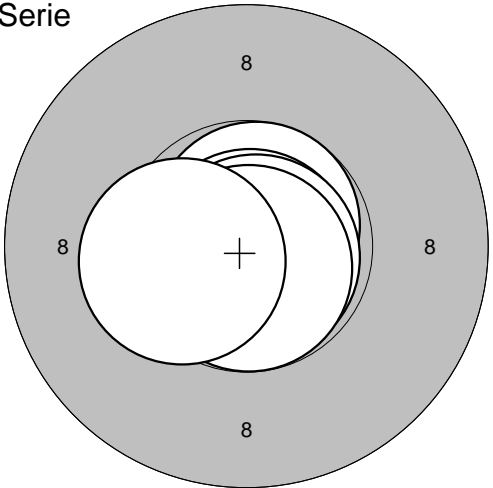
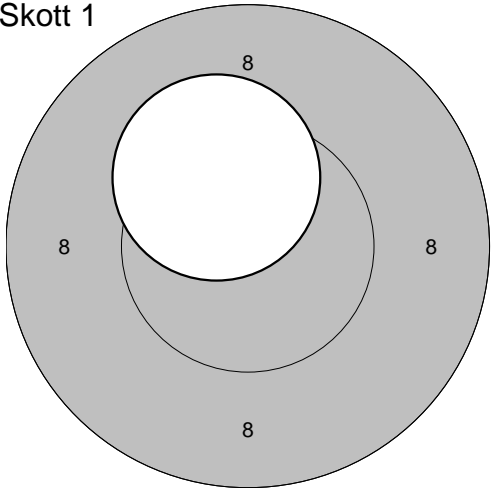
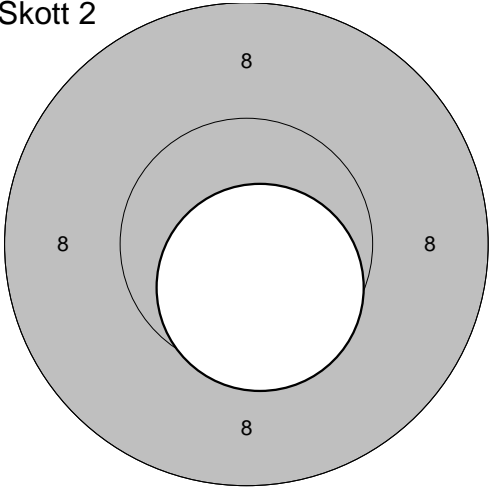
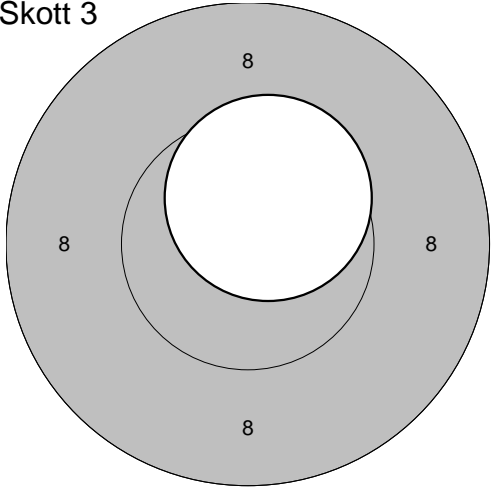
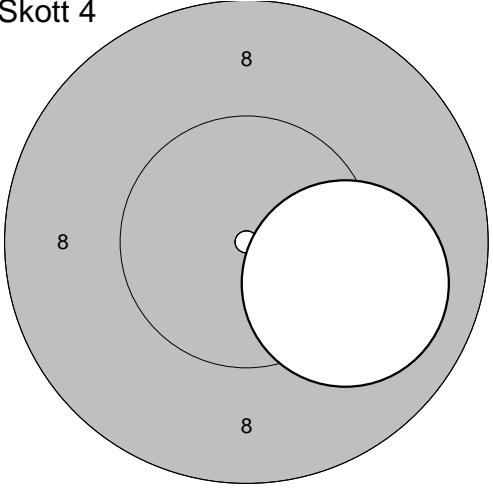
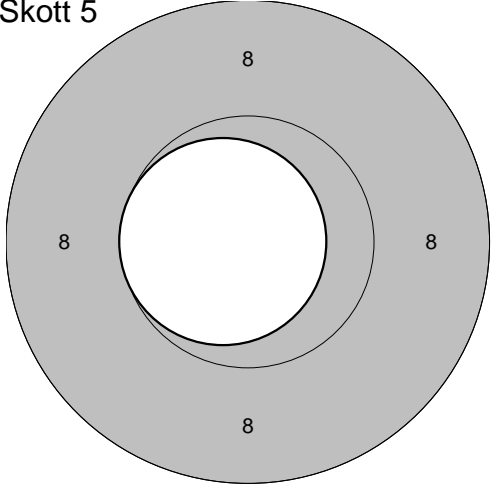
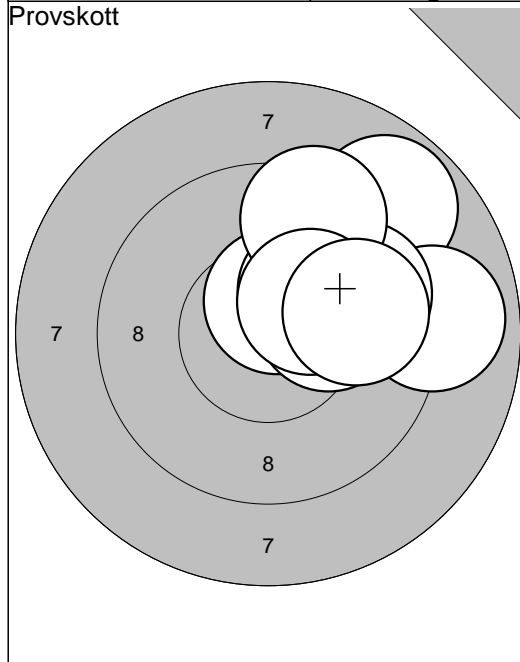


| | | | |
|--|---|--|---|
| Provsrott  | 1:10,5* ← 2:10,7* ↑ 3:10,5* ↓ 4:10,4* → 5:10,7* ↓ 6:10,6* ↓ 7:10,6* ↓ 8:10,2* ↓ 9:10,7* ↑ 10:10,3* ↓ <hr/> Serie: 105,2 Summa: 400,0 | Provsrott  | 11:10,9* ↓ 12:10,3* ↓ 13:10,4* ↓ 14:10,2* ↓ 15:10,7* ↑ 16:10,4* ↓ 17:10,6* ↗ 18:10,1 ↓ 19:10,4* ← 20:10,6* ↓ <hr/> Serie: 104,6 Summa: 400,0 |
|--|---|--|---|

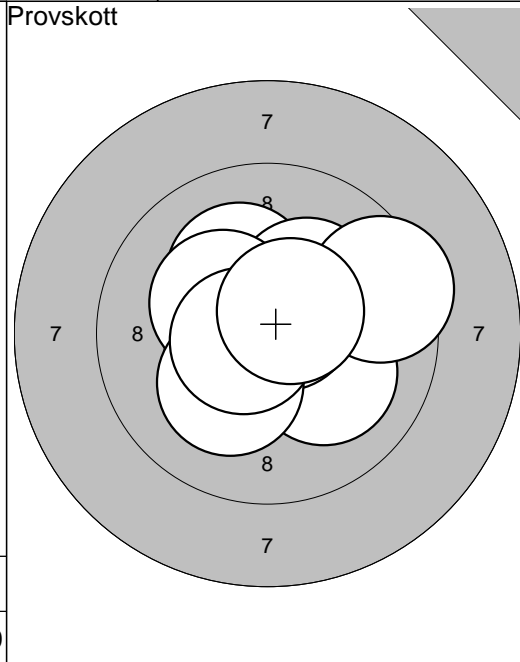
| | | | |
|---|--|---|--|
| Serie  | 1:10,8* ↑ 2:10,9* ↓ 3:10,8* ↓ 4:10,8* ↓ 5:10,4* ← <hr/> Serie: 53,7 Summa: 453,7 | Skott 1  | 1:10,3* ↑ <hr/> Serie: 10,3 Summa: 464,0 |
|---|--|---|--|

| | | | |
|--|--|--|--|
| Skott 2  | 1:10,6* ↓ <hr/> Serie: 10,6 Summa: 474,6 | Skott 3  | 1:10,5* ↑ <hr/> Serie: 10,5 Summa: 485,1 |
|--|--|--|--|

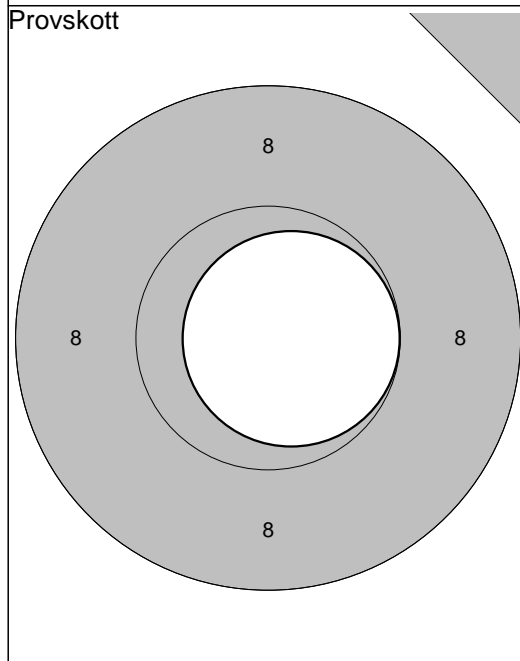
| | | | |
|--|---|--|--|
| Skott 4  | 1:10,0 ⇒ <hr/> Serie: 10,0 Summa: 495,1 | Skott 5  | 1:10,7* ← <hr/> Serie: 10,7 Summa: 505,8 |
|--|---|--|--|



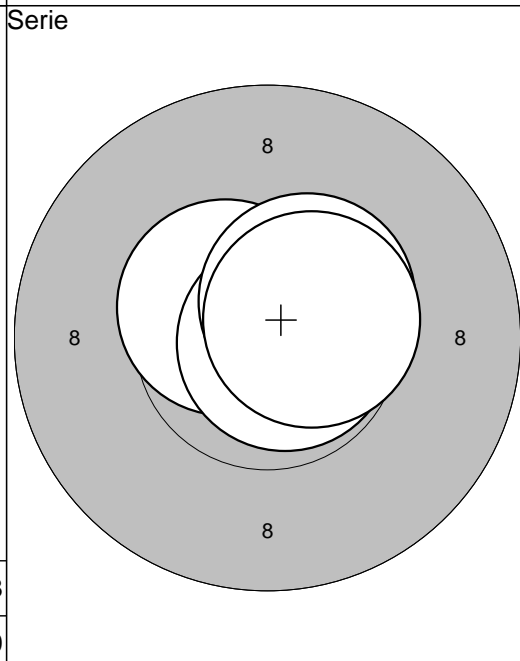
| | |
|--------------|---|
| 1: 10,2* | → |
| 2: 8,9 | ↗ |
| 3: 10,5* | ↑ |
| 4: 8,9 | → |
| 5: 9,7 | ↗ |
| 6: 10,2* | → |
| 7: 10,2* | ↗ |
| 8: 9,4 | ↑ |
| 9: 10,3* | ↗ |
| 10: 9,8 | → |
| Serie: 98,1 | |
| Summa: 400,0 | |



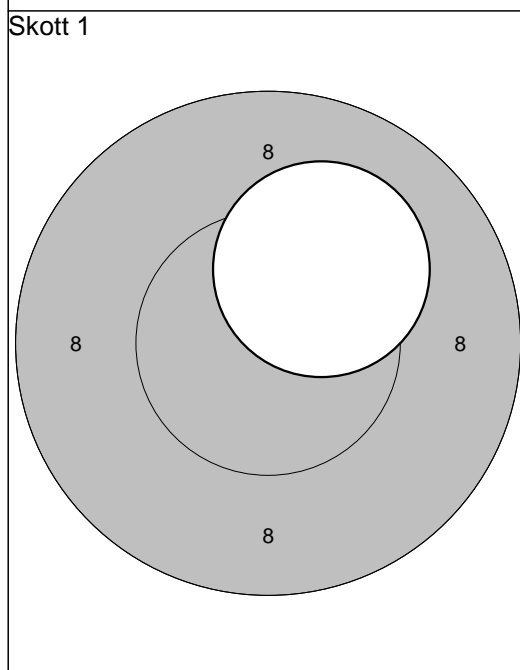
| | |
|--------------|---|
| 11: 10,5* | ↙ |
| 12: 10,2* | ↖ |
| 13: 10,1 | ↘ |
| 14: 10,7* | ↗ |
| 15: 10,2* | ↗ |
| 16: 9,5 | → |
| 17: 10,3* | ↖ |
| 18: 10,2* | ↘ |
| 19: 10,6* | ↙ |
| 20: 10,6* | ↗ |
| Serie: 102,9 | |
| Summa: 400,0 | |



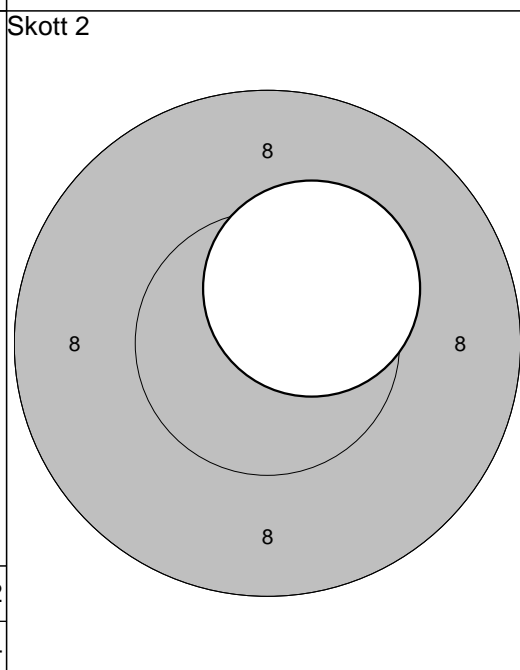
| | |
|--------------|---|
| 21: 10,8* | → |
| Serie: 10,8 | |
| Summa: 400,0 | |



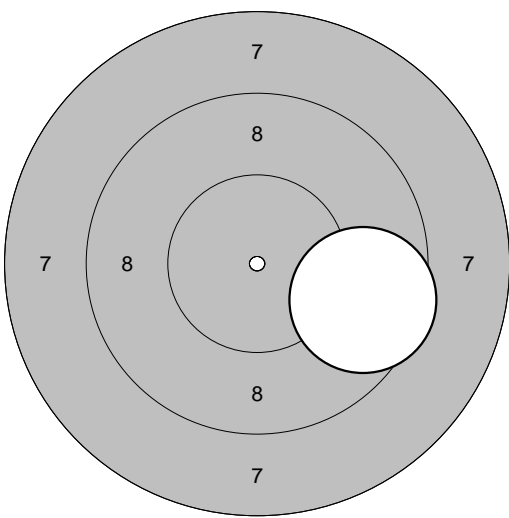
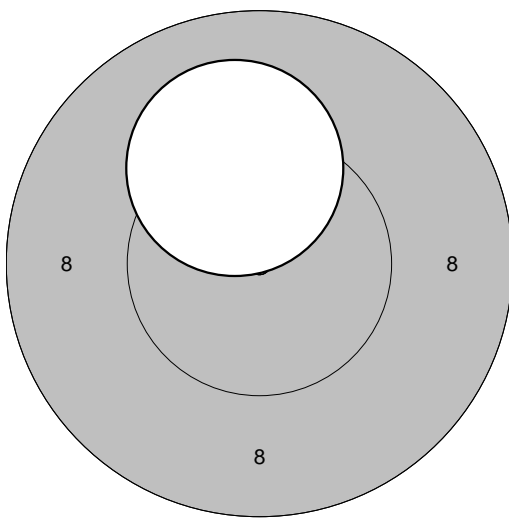
| | |
|--------------|---|
| 1: 10,8* | ↗ |
| 2: 10,5* | ↖ |
| 3: 10,8* | → |
| 4: 10,5* | ↗ |
| 5: 10,6* | → |
| Serie: 53,2 | |
| Summa: 453,2 | |

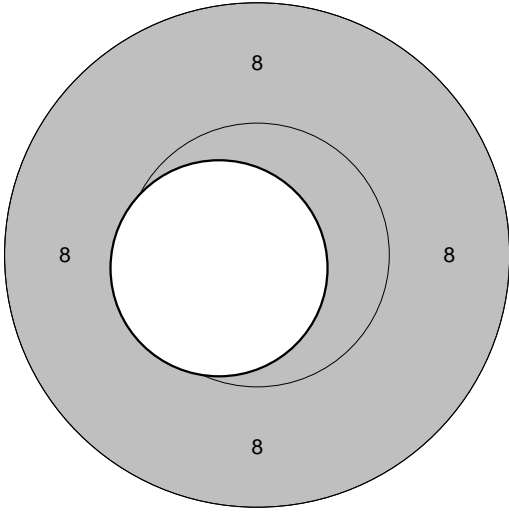


| | |
|--------------|---|
| 1: 10,2* | ↗ |
| Serie: 10,2 | |
| Summa: 463,4 | |

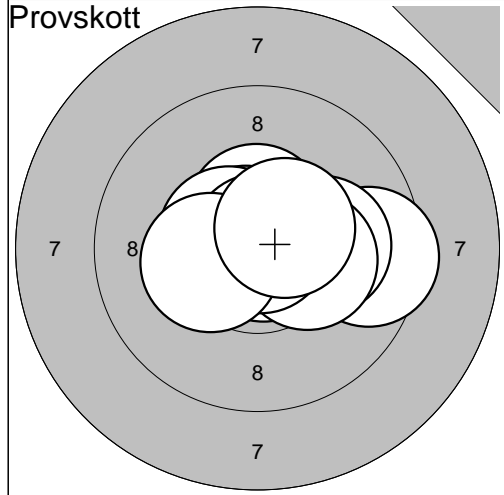


| | |
|--------------|---|
| 1: 10,4* | ↗ |
| Serie: 10,4 | |
| Summa: 473,8 | |

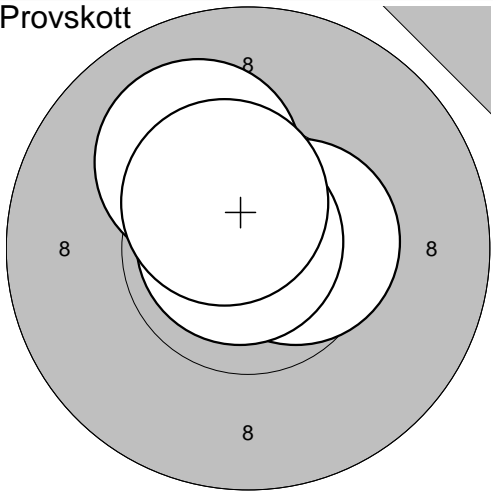
| | | | |
|---|-----------------|---|------------------|
| <p>Skott 3</p>  | <p>1: 9,6 →</p> | <p>Skott 4</p>  | <p>1: 10,1 ↗</p> |
| | Serie: 9,6 | | Serie: 10,1 |
| | Summa: 483,4 | | Summa: 493,5 |

| | | | |
|--|-------------------|--|--|
| <p>Skott 5</p>  | <p>1: 10,6* ←</p> | | |
| | Serie: 10,6 | | |
| | Summa: 504,1 | | |

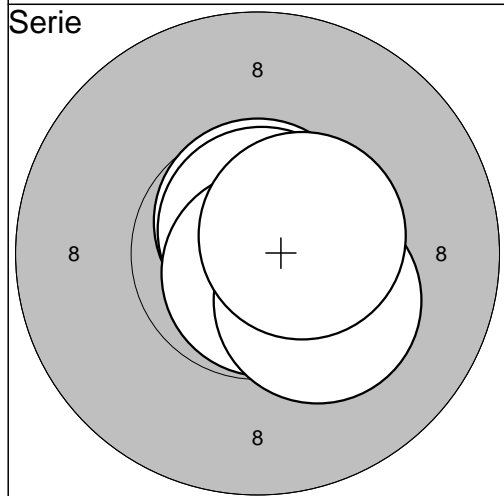
| | |
|--|--|
| | |
|--|--|



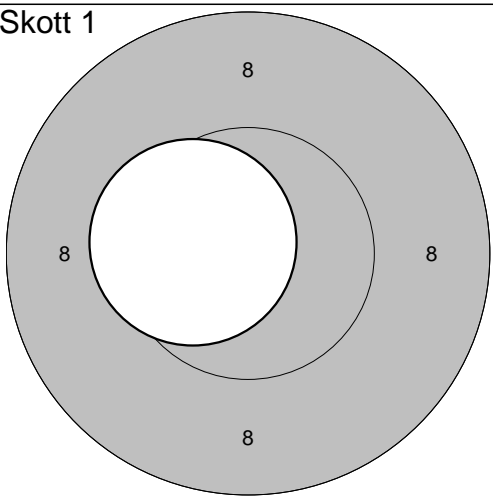
| | |
|---------------------|---|
| 1: 9,5 | → |
| 2: 10,1 | → |
| 3: 10,9* | ↘ |
| 4: 10,5* | ↑ |
| 5: 10,7* | ↗ |
| 6: 10,3* | → |
| 7: 10,6* | ↖ |
| 8: 10,9* | ↗ |
| 9: 10,3* | ← |
| 10: 10,5* | ↗ |
| Serie: 104,3 | |
| Summa: 398,0 | |



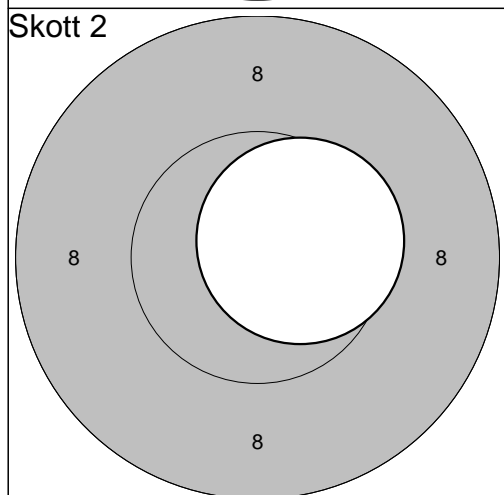
| | |
|---------------------|---|
| 11: 10,1 | ↗ |
| 12: 10,5* | → |
| 13: 10,9* | ↗ |
| 14: 10,5* | ↗ |
| Serie: 42,0 | |
| Summa: 398,0 | |



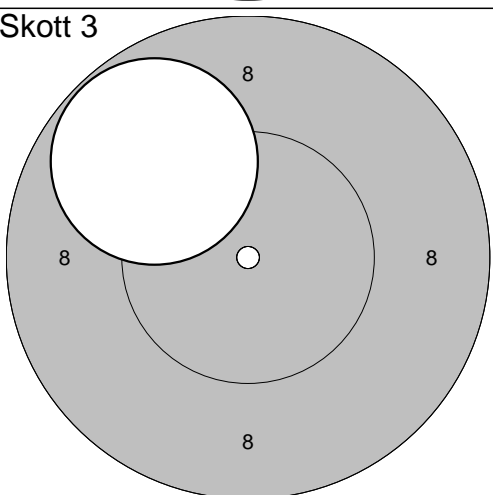
| | |
|---------------------|---|
| 1: 10,7* | ↑ |
| 2: 10,7* | ↑ |
| 3: 10,8* | ↘ |
| 4: 10,3* | ↘ |
| 5: 10,5* | → |
| Serie: 53,0 | |
| Summa: 451,0 | |



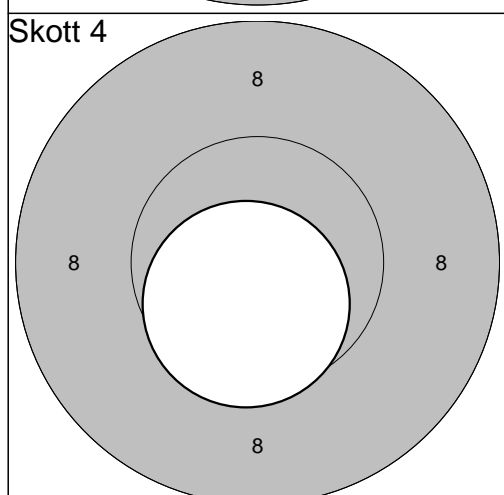
| | |
|---------------------|---|
| 1: 10,5* | ← |
| Serie: 10,5 | |
| Summa: 461,5 | |



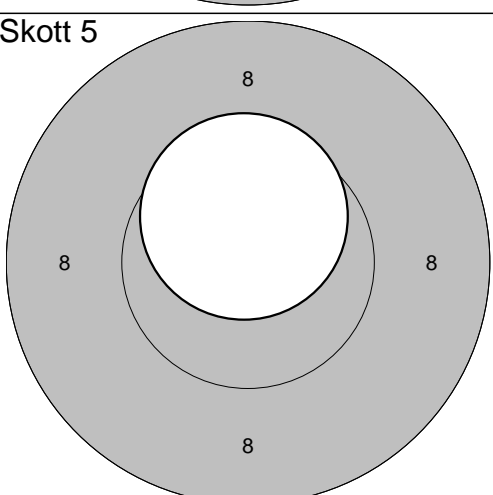
| | |
|---------------------|---|
| 1: 10,6* | → |
| Serie: 10,6 | |
| Summa: 472,1 | |



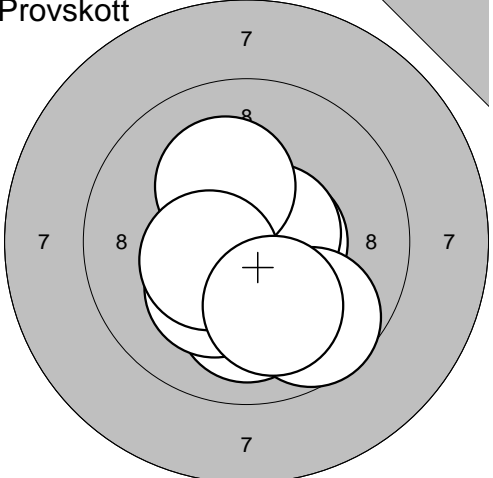
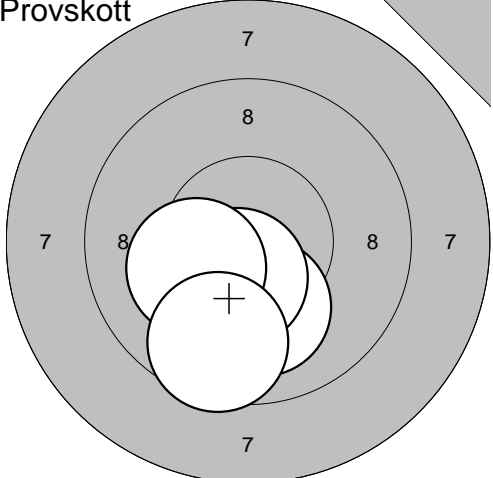
| | |
|---------------------|---|
| 1: 9,8 | ↖ |
| Serie: 9,8 | |
| Summa: 481,9 | |

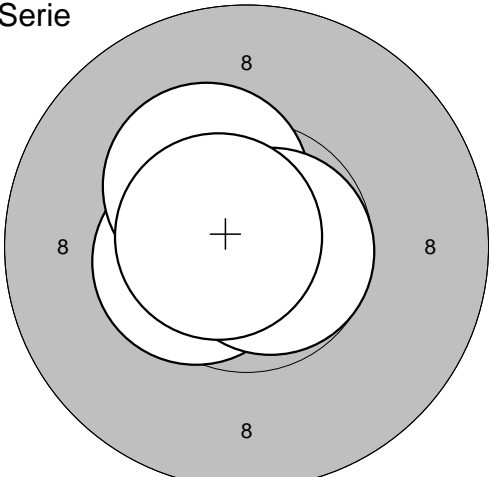
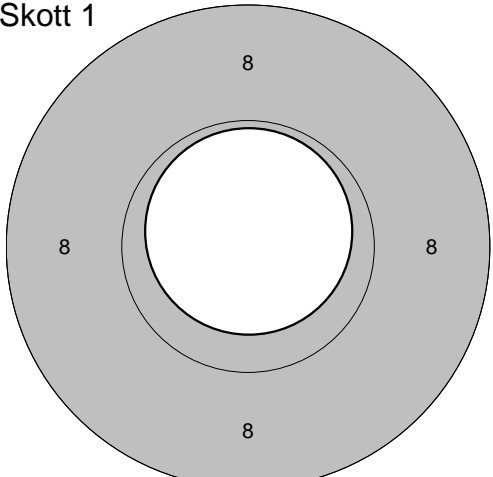


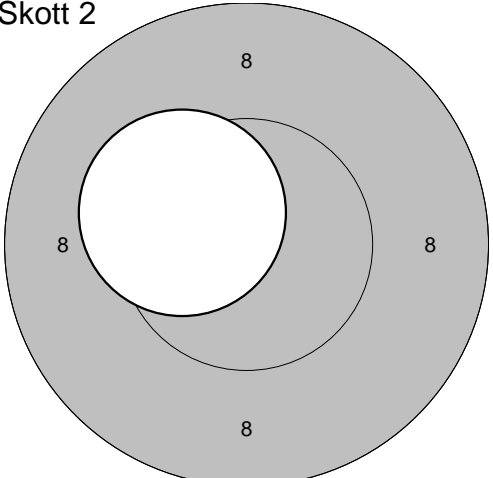
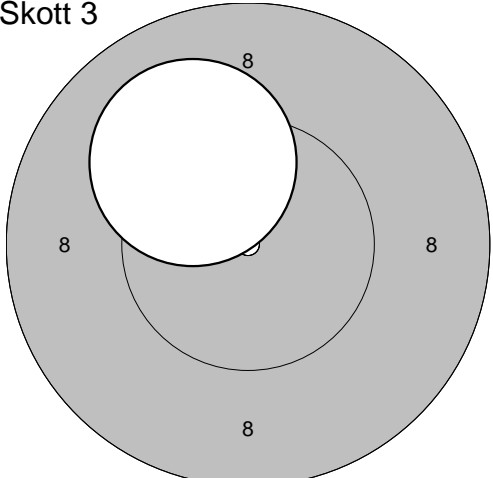
| | |
|---------------------|---|
| 1: 10,6* | ↘ |
| Serie: 10,6 | |
| Summa: 492,5 | |

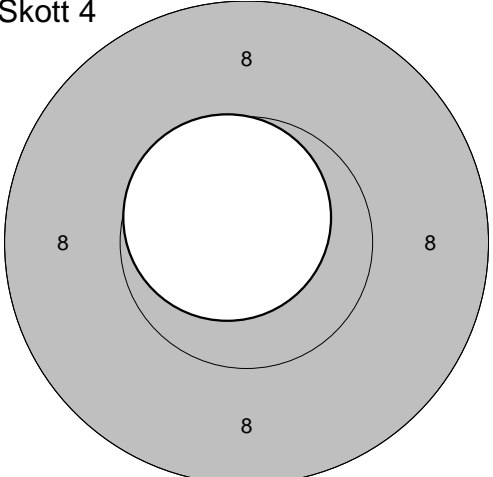
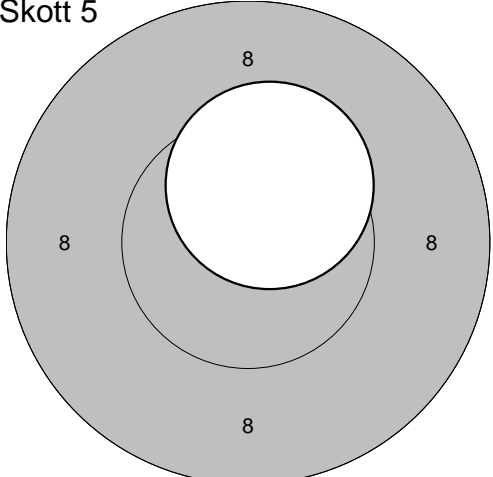


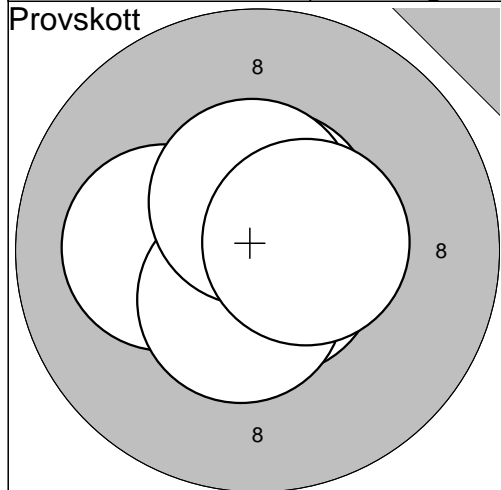
| | |
|---------------------|---|
| 1: 10,6* | ↑ |
| Serie: 10,6 | |
| Summa: 503,1 | |

| | | |
|--|--|--------------|
| Provskott  | Provskott  | |
| 1:10,5* ↘ 2:10,5* ↘ 3:10,5* → 4:10,0 ↓ 5:10,6* → 6: 9,7 ↘ 7:10,2* ↙ 8:10,2* ↗ 9:10,4* ↖ 10:10,1 ↓ | 11:10,1 ↓ 12:10,5* ↓ 13:10,2* ↖ 14: 9,6 ↓ | |
| Serie: 102,7 | | Serie: 40,4 |
| Summa: 398,0 | | Summa: 398,0 |

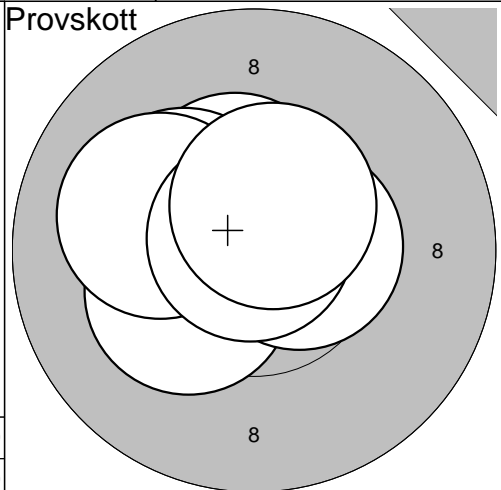
| | | |
|---|---|--------------|
| Serie  | Skott 1  | |
| 1:10,5* ← 2:10,7* ↗ 3:10,3* ↗ 4:10,7* → 5:10,7* ↖ | 1:10,8* ↑ | |
| Serie: 52,9 | | Serie: 10,8 |
| Summa: 450,9 | | Summa: 461,7 |

| | | |
|--|--|--------------|
| Skott 2  | Skott 3  | |
| 1:10,3* ↖ | 1:10,1 ↗ | |
| Serie: 10,3 | | Serie: 10,1 |
| Summa: 472,0 | | Summa: 482,1 |

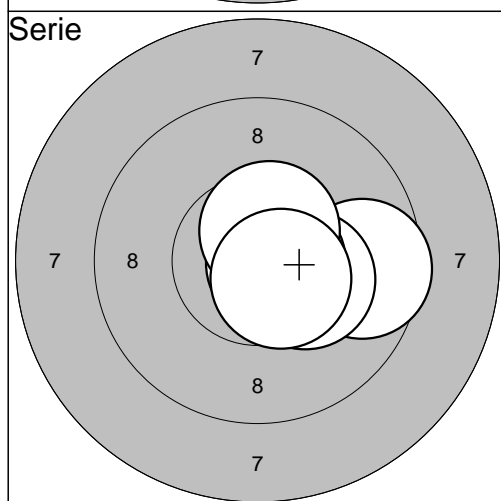
| | | |
|--|--|--------------|
| Skott 4  | Skott 5  | |
| 1:10,7* ↖ | 1:10,4* ↑ | |
| Serie: 10,7 | | Serie: 10,4 |
| Summa: 492,8 | | Summa: 503,2 |



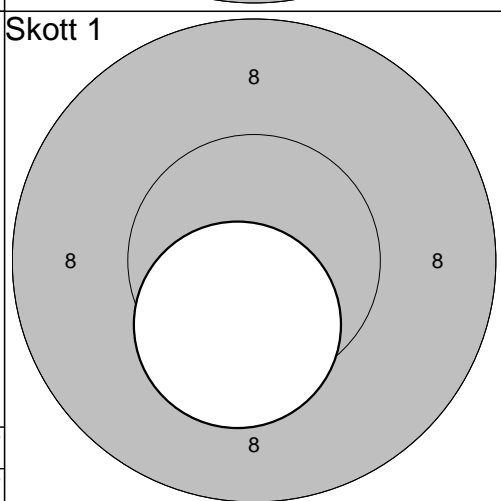
| | |
|---------------------|---|
| 1:10,8* | ↖ |
| 2:10,7* | ↑ |
| 3:10,9* | ↑ |
| 4:10,6* | ← |
| 5:10,6* | ↑ |
| 6:10,7* | ↘ |
| 7:10,2* | ← |
| 8:10,5* | ↘ |
| 9:10,5* | ↑ |
| 10:10,5* | → |
| Serie: 106,0 | |
| Summa: 398,0 | |



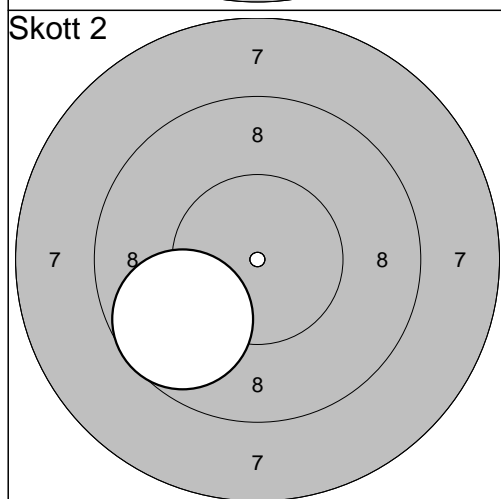
| | |
|---------------------|---|
| 11:10,5* | ↖ |
| 12:10,3* | ↙ |
| 13:10,3* | ↙ |
| 14:10,1 | ↙ |
| 15:10,6* | → |
| 16:10,8* | ↑ |
| 17:10,5* | ↑ |
| Serie: 73,1 | |
| Summa: 398,0 | |



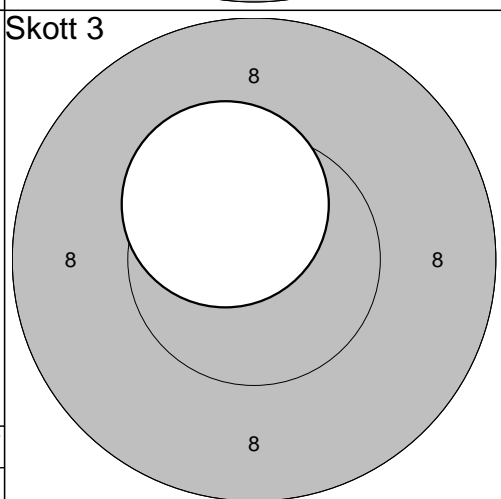
| | |
|---------------------|---|
| 1: 9,6 | → |
| 2:10,3* | ↘ |
| 3:10,7* | → |
| 4:10,5* | ↑ |
| 5:10,6* | ↘ |
| Serie: 51,7 | |
| Summa: 449,7 | |



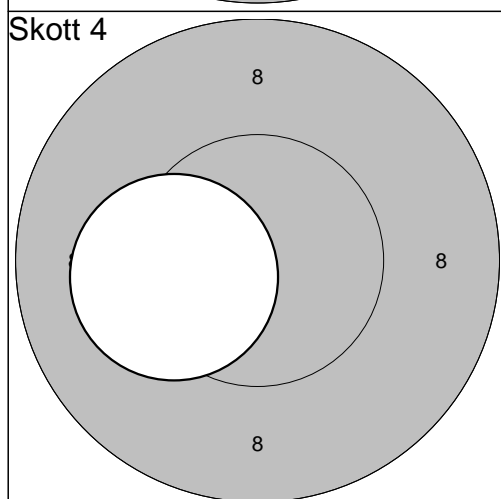
| | |
|---------------------|---|
| 1:10,4* | ↘ |
| Serie: 10,4 | |
| Summa: 460,1 | |



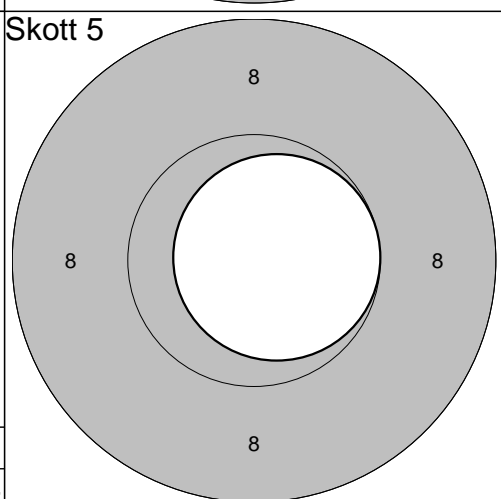
| | |
|---------------------|---|
| 1: 9,7 | ↙ |
| Serie: 9,7 | |
| Summa: 469,8 | |



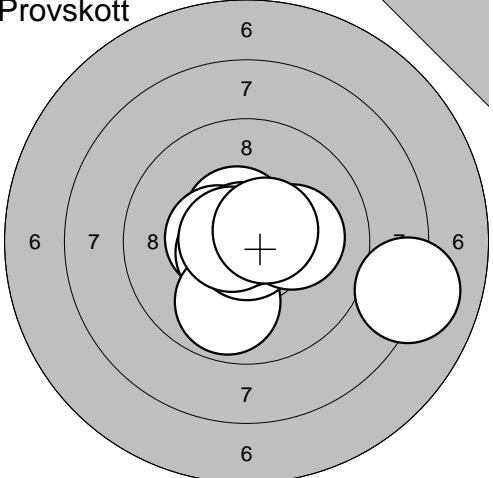
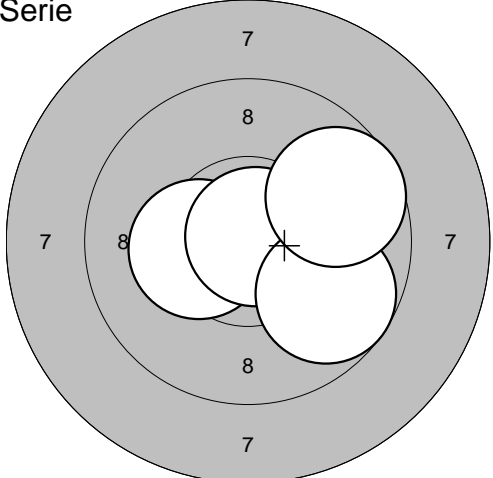
| | |
|---------------------|---|
| 1:10,4* | ↖ |
| Serie: 10,4 | |
| Summa: 480,2 | |

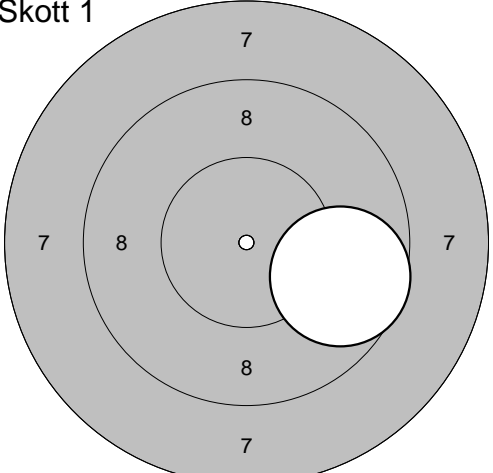
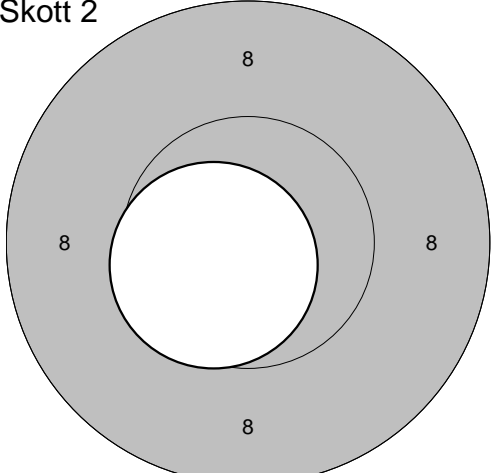


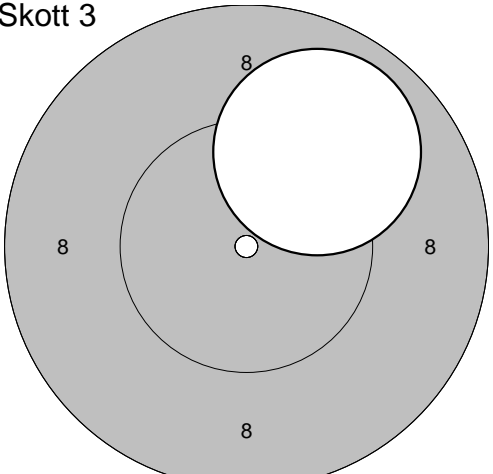
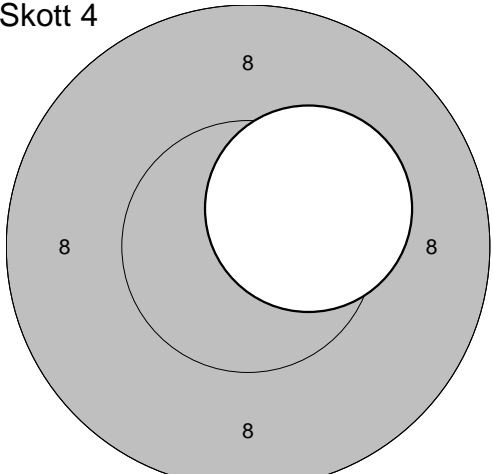
| | |
|---------------------|---|
| 1:10,2* | ← |
| Serie: 10,2 | |
| Summa: 490,4 | |

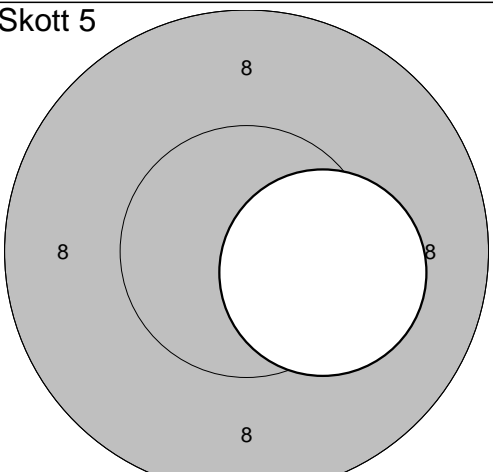


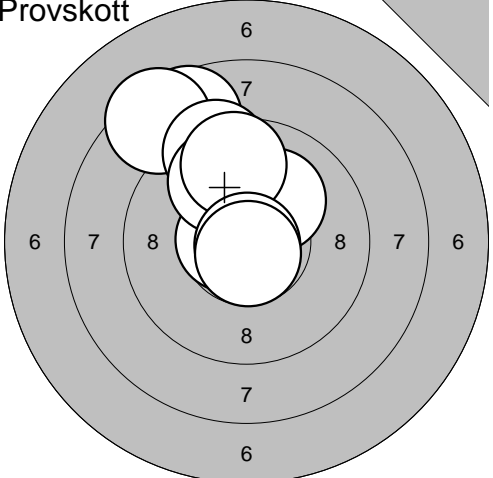
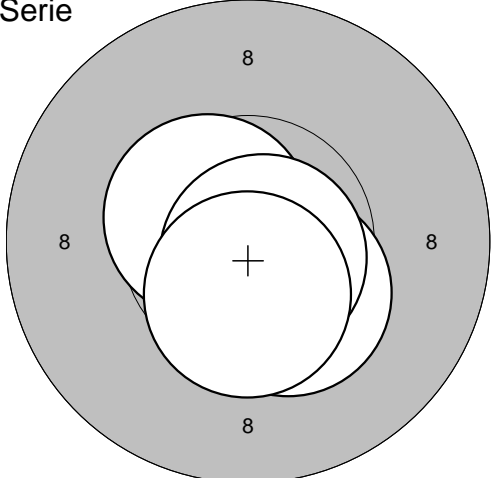
| | |
|---------------------|---|
| 1:10,7* | → |
| Serie: 10,7 | |
| Summa: 501,1 | |

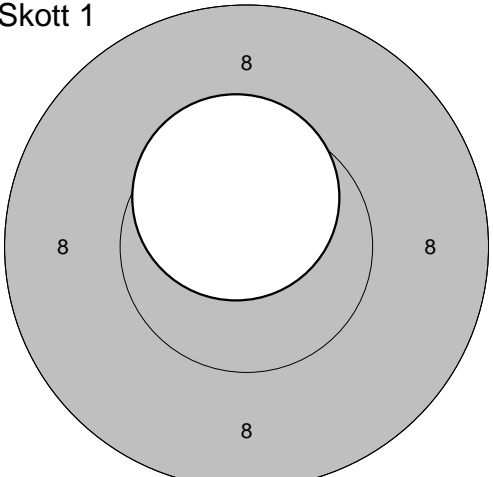
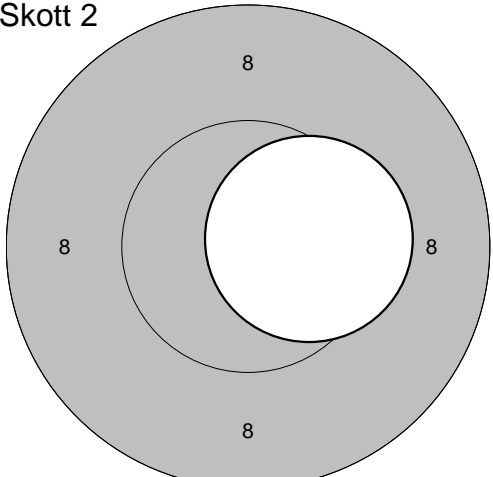
| | | |
|--|--|--|
| Provsnitt  | <p>1:10,5* ↗ 2: 8,1 → 3:10,5* ← 4:10,6* ↙ 5: 9,9 ↓ 6:10,8* ↓ 7:10,2* → 8:10,8* ↗ 9:10,7* ← 10:10,6* ↘</p> <p>Serie: 102,7 Summa: 397,0</p> | Serie  <p>1:10,2* → 2:10,3* ← 3:10,8* ↗ 4: 9,7 → 5: 9,7 ↘</p> <p>Serie: 50,7 Summa: 447,7</p> |
|--|--|--|

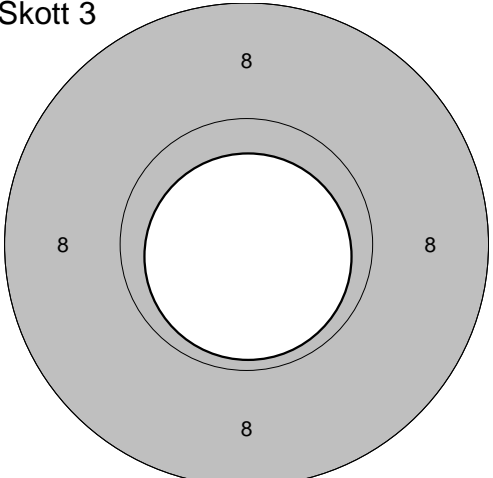
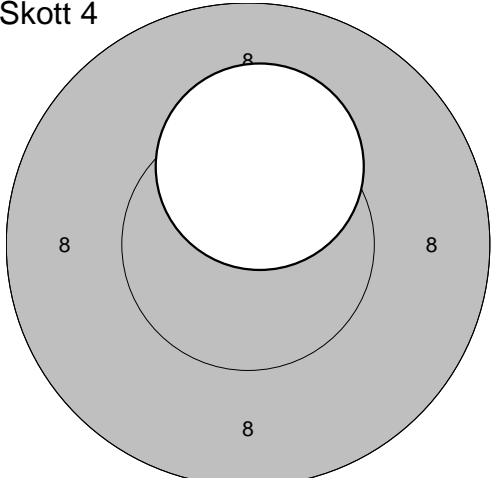
| | |
|---|---|
| Skott 1  <p>Serie: 9,7 Summa: 457,4</p> | Skott 2  <p>1:10,6* ↙ Serie: 10,6 Summa: 468,0</p> |
|---|---|

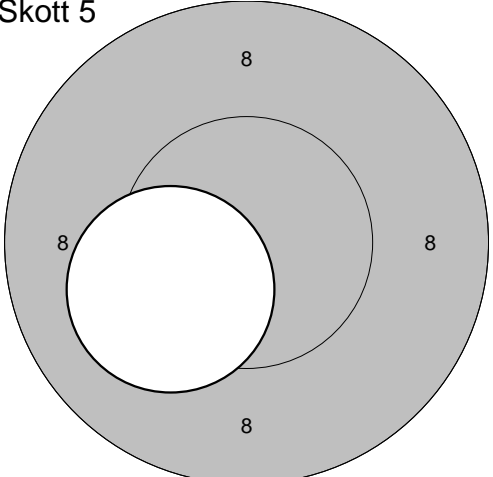
| | |
|--|--|
| Skott 3  <p>1: 9,9 ↗ Serie: 9,9 Summa: 477,9</p> | Skott 4  <p>1:10,3* ↘ Serie: 10,3 Summa: 488,2</p> |
|--|--|

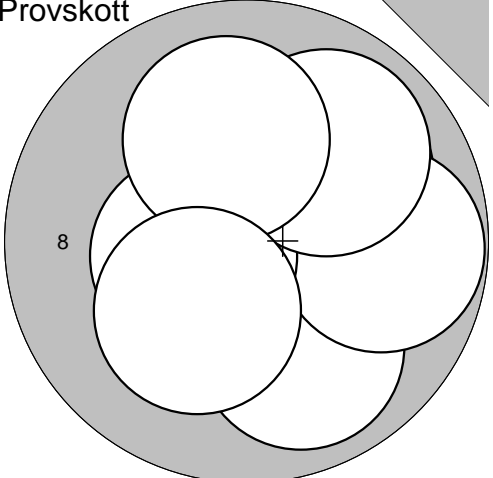
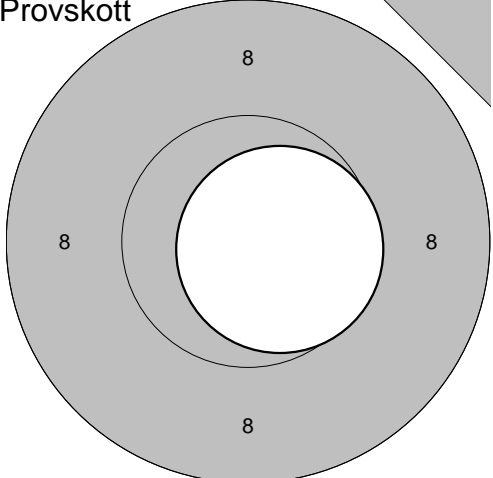
| | |
|--|--|
| Skott 5  <p>1:10,3* → Serie: 10,3 Summa: 498,5</p> | |
|--|--|

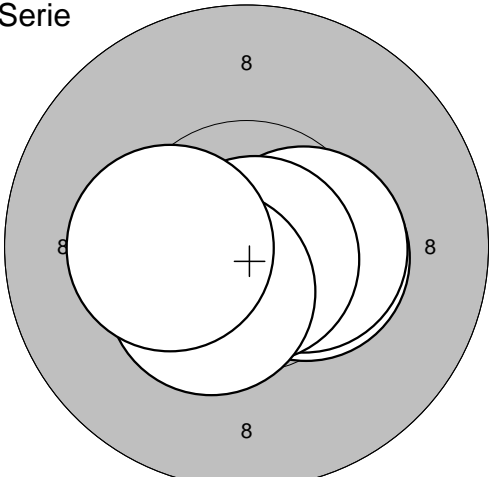
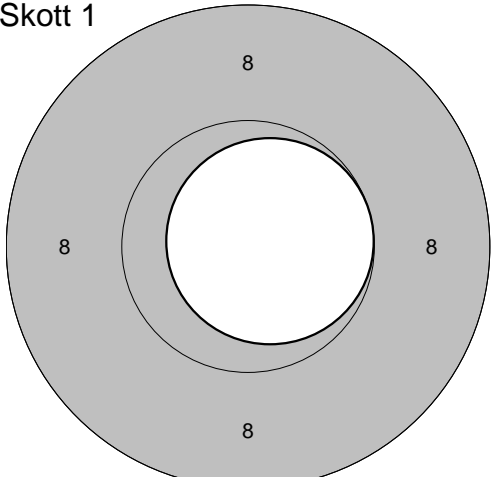
| | | | | | | | | | | | | | | | | | | | | | | | | | | | | |
|--|--|--------|---|--------|---|--------|---|---------|---|----------|---|--------|---|--------|---|----------|---|----------|---|--------|------|--------|-------|--|--------|------|--------|-------|
| Provskott  | <table style="width:100%; border-collapse: collapse;"> <tr><td>1: 8,7</td><td style="text-align: right;">↗</td></tr> <tr><td>2: 8,4</td><td style="text-align: right;">↗</td></tr> <tr><td>3: 9,4</td><td style="text-align: right;">↗</td></tr> <tr><td>4: 10,1</td><td style="text-align: right;">↗</td></tr> <tr><td>5: 10,6*</td><td style="text-align: right;">↖</td></tr> <tr><td>6: 9,9</td><td style="text-align: right;">↗</td></tr> <tr><td>7: 9,6</td><td style="text-align: right;">↗</td></tr> <tr><td>8: 10,9*</td><td style="text-align: right;">↘</td></tr> <tr><td>9: 10,7*</td><td style="text-align: right;">↘</td></tr> </table> <table style="width:100%; border-collapse: collapse; margin-top: 5px;"> <tr><td style="border-top: 1px solid black;">Serie:</td><td style="border-top: 1px solid black; text-align: right;">88,3</td></tr> <tr><td style="border-top: 1px solid black;">Summa:</td><td style="border-top: 1px solid black; text-align: right;">396,0</td></tr> </table> | 1: 8,7 | ↗ | 2: 8,4 | ↗ | 3: 9,4 | ↗ | 4: 10,1 | ↗ | 5: 10,6* | ↖ | 6: 9,9 | ↗ | 7: 9,6 | ↗ | 8: 10,9* | ↘ | 9: 10,7* | ↘ | Serie: | 88,3 | Summa: | 396,0 | Serie  <table style="width:100%; border-collapse: collapse; margin-top: 5px;"> <tr><td style="border-top: 1px solid black;">Serie:</td><td style="border-top: 1px solid black; text-align: right;">53,0</td></tr> <tr><td style="border-top: 1px solid black;">Summa:</td><td style="border-top: 1px solid black; text-align: right;">449,0</td></tr> </table> | Serie: | 53,0 | Summa: | 449,0 |
| 1: 8,7 | ↗ | | | | | | | | | | | | | | | | | | | | | | | | | | | |
| 2: 8,4 | ↗ | | | | | | | | | | | | | | | | | | | | | | | | | | | |
| 3: 9,4 | ↗ | | | | | | | | | | | | | | | | | | | | | | | | | | | |
| 4: 10,1 | ↗ | | | | | | | | | | | | | | | | | | | | | | | | | | | |
| 5: 10,6* | ↖ | | | | | | | | | | | | | | | | | | | | | | | | | | | |
| 6: 9,9 | ↗ | | | | | | | | | | | | | | | | | | | | | | | | | | | |
| 7: 9,6 | ↗ | | | | | | | | | | | | | | | | | | | | | | | | | | | |
| 8: 10,9* | ↘ | | | | | | | | | | | | | | | | | | | | | | | | | | | |
| 9: 10,7* | ↘ | | | | | | | | | | | | | | | | | | | | | | | | | | | |
| Serie: | 88,3 | | | | | | | | | | | | | | | | | | | | | | | | | | | |
| Summa: | 396,0 | | | | | | | | | | | | | | | | | | | | | | | | | | | |
| Serie: | 53,0 | | | | | | | | | | | | | | | | | | | | | | | | | | | |
| Summa: | 449,0 | | | | | | | | | | | | | | | | | | | | | | | | | | | |

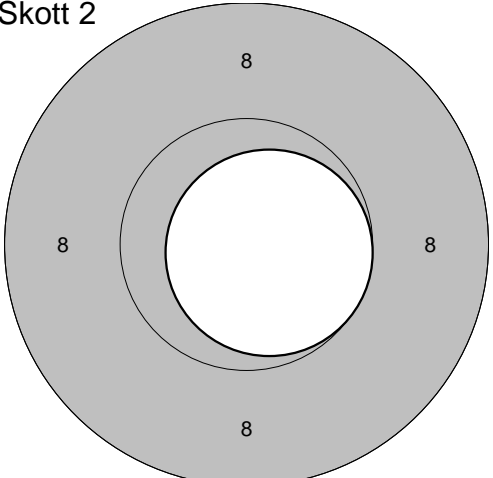
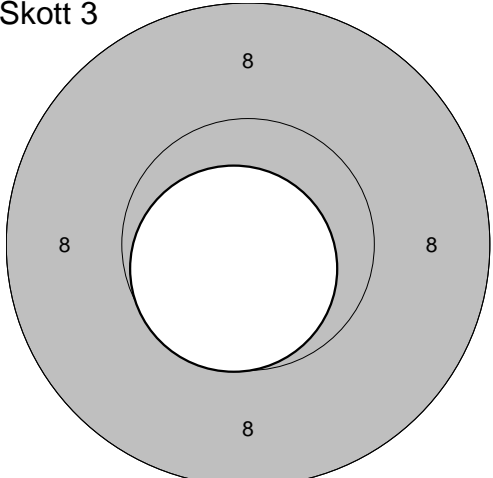
| | | | | | | | | | |
|---|--------|------|--------|-------|---|--------|------|--------|-------|
| Skott 1  <table style="width:100%; border-collapse: collapse; margin-top: 5px;"> <tr><td style="border-top: 1px solid black;">Serie:</td><td style="border-top: 1px solid black; text-align: right;">10,5</td></tr> <tr><td style="border-top: 1px solid black;">Summa:</td><td style="border-top: 1px solid black; text-align: right;">459,5</td></tr> </table> | Serie: | 10,5 | Summa: | 459,5 | Skott 2  <table style="width:100%; border-collapse: collapse; margin-top: 5px;"> <tr><td style="border-top: 1px solid black;">Serie:</td><td style="border-top: 1px solid black; text-align: right;">10,4</td></tr> <tr><td style="border-top: 1px solid black;">Summa:</td><td style="border-top: 1px solid black; text-align: right;">469,9</td></tr> </table> | Serie: | 10,4 | Summa: | 469,9 |
| Serie: | 10,5 | | | | | | | | |
| Summa: | 459,5 | | | | | | | | |
| Serie: | 10,4 | | | | | | | | |
| Summa: | 469,9 | | | | | | | | |

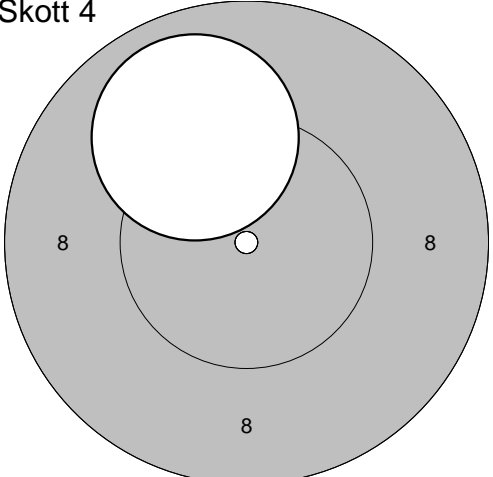
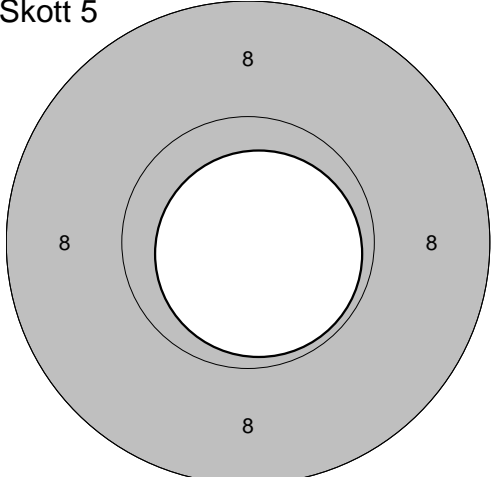
| | | | | | | | | | |
|--|--------|------|--------|-------|--|--------|------|--------|-------|
| Skott 3  <table style="width:100%; border-collapse: collapse; margin-top: 5px;"> <tr><td style="border-top: 1px solid black;">Serie:</td><td style="border-top: 1px solid black; text-align: right;">10,8</td></tr> <tr><td style="border-top: 1px solid black;">Summa:</td><td style="border-top: 1px solid black; text-align: right;">480,7</td></tr> </table> | Serie: | 10,8 | Summa: | 480,7 | Skott 4  <table style="width:100%; border-collapse: collapse; margin-top: 5px;"> <tr><td style="border-top: 1px solid black;">Serie:</td><td style="border-top: 1px solid black; text-align: right;">10,3</td></tr> <tr><td style="border-top: 1px solid black;">Summa:</td><td style="border-top: 1px solid black; text-align: right;">491,0</td></tr> </table> | Serie: | 10,3 | Summa: | 491,0 |
| Serie: | 10,8 | | | | | | | | |
| Summa: | 480,7 | | | | | | | | |
| Serie: | 10,3 | | | | | | | | |
| Summa: | 491,0 | | | | | | | | |

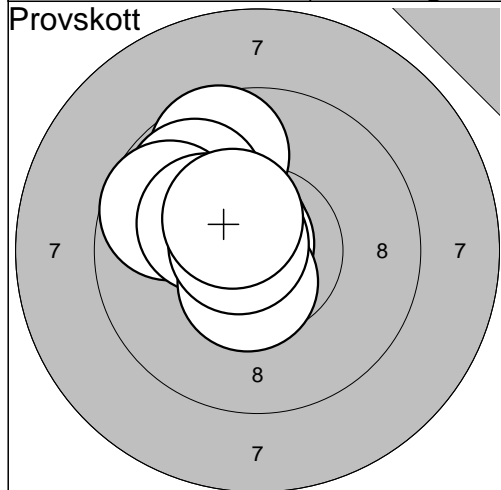
| | | | | | | | | | |
|--|--------|------|--------|-------|--|--------|--|--------|--|
| Skott 5  <table style="width:100%; border-collapse: collapse; margin-top: 5px;"> <tr><td style="border-top: 1px solid black;">Serie:</td><td style="border-top: 1px solid black; text-align: right;">10,2</td></tr> <tr><td style="border-top: 1px solid black;">Summa:</td><td style="border-top: 1px solid black; text-align: right;">501,2</td></tr> </table> | Serie: | 10,2 | Summa: | 501,2 | <table style="width:100%; border-collapse: collapse; margin-top: 5px;"> <tr><td style="border-top: 1px solid black;">Serie:</td><td style="border-top: 1px solid black;"></td></tr> <tr><td style="border-top: 1px solid black;">Summa:</td><td style="border-top: 1px solid black;"></td></tr> </table> | Serie: | | Summa: | |
| Serie: | 10,2 | | | | | | | | |
| Summa: | 501,2 | | | | | | | | |
| Serie: | | | | | | | | | |
| Summa: | | | | | | | | | |

| | | | | | | | | | | | | | | | | | | | | | | | | | | | | | | | | | | | | |
|--|--|--------|---|--------|---|---------|---|---------|---|--------|---|--------|---|---------|---|--------|---|--------|---|----------|---|-------|--|--------|-------|--------|-------|---|------------|--|-------|--|--------|------|--------|-------|
| Provskott  | <table style="width:100%; border-collapse: collapse;"> <tr><td>1:10,1</td><td>→</td></tr> <tr><td>2:10,0</td><td>↗</td></tr> <tr><td>3:10,4*</td><td>→</td></tr> <tr><td>4:10,6*</td><td>↓</td></tr> <tr><td>5: 9,9</td><td>↓</td></tr> <tr><td>6: 9,8</td><td>→</td></tr> <tr><td>7:10,5*</td><td>←</td></tr> <tr><td>8: 9,9</td><td>↗</td></tr> <tr><td>9:10,1</td><td>↑</td></tr> <tr><td>10:10,2*</td><td>↘</td></tr> <tr><td colspan="2"><hr/></td></tr> <tr><td>Serie:</td><td style="text-align: right;">101,5</td></tr> <tr><td>Summa:</td><td style="text-align: right;">395,0</td></tr> </table> | 1:10,1 | → | 2:10,0 | ↗ | 3:10,4* | → | 4:10,6* | ↓ | 5: 9,9 | ↓ | 6: 9,8 | → | 7:10,5* | ← | 8: 9,9 | ↗ | 9:10,1 | ↑ | 10:10,2* | ↘ | <hr/> | | Serie: | 101,5 | Summa: | 395,0 | Provskott  <table style="width:100%; border-collapse: collapse; margin-top: 10px;"> <tr><td colspan="2" style="text-align: right;">11:10,7* →</td></tr> <tr><td colspan="2"><hr/></td></tr> <tr><td>Serie:</td><td style="text-align: right;">10,7</td></tr> <tr><td>Summa:</td><td style="text-align: right;">395,0</td></tr> </table> | 11:10,7* → | | <hr/> | | Serie: | 10,7 | Summa: | 395,0 |
| 1:10,1 | → | | | | | | | | | | | | | | | | | | | | | | | | | | | | | | | | | | | |
| 2:10,0 | ↗ | | | | | | | | | | | | | | | | | | | | | | | | | | | | | | | | | | | |
| 3:10,4* | → | | | | | | | | | | | | | | | | | | | | | | | | | | | | | | | | | | | |
| 4:10,6* | ↓ | | | | | | | | | | | | | | | | | | | | | | | | | | | | | | | | | | | |
| 5: 9,9 | ↓ | | | | | | | | | | | | | | | | | | | | | | | | | | | | | | | | | | | |
| 6: 9,8 | → | | | | | | | | | | | | | | | | | | | | | | | | | | | | | | | | | | | |
| 7:10,5* | ← | | | | | | | | | | | | | | | | | | | | | | | | | | | | | | | | | | | |
| 8: 9,9 | ↗ | | | | | | | | | | | | | | | | | | | | | | | | | | | | | | | | | | | |
| 9:10,1 | ↑ | | | | | | | | | | | | | | | | | | | | | | | | | | | | | | | | | | | |
| 10:10,2* | ↘ | | | | | | | | | | | | | | | | | | | | | | | | | | | | | | | | | | | |
| <hr/> | | | | | | | | | | | | | | | | | | | | | | | | | | | | | | | | | | | | |
| Serie: | 101,5 | | | | | | | | | | | | | | | | | | | | | | | | | | | | | | | | | | | |
| Summa: | 395,0 | | | | | | | | | | | | | | | | | | | | | | | | | | | | | | | | | | | |
| 11:10,7* → | | | | | | | | | | | | | | | | | | | | | | | | | | | | | | | | | | | | |
| <hr/> | | | | | | | | | | | | | | | | | | | | | | | | | | | | | | | | | | | | |
| Serie: | 10,7 | | | | | | | | | | | | | | | | | | | | | | | | | | | | | | | | | | | |
| Summa: | 395,0 | | | | | | | | | | | | | | | | | | | | | | | | | | | | | | | | | | | |

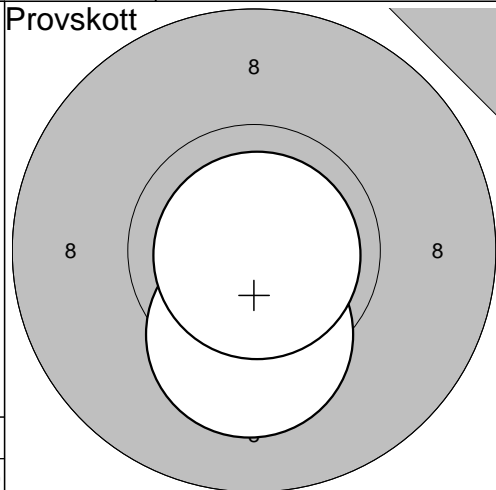
| | | | | | | | | | | | | | | | | | | | | | | | | | |
|--|---------|---|---------|---|---------|---|---------|---|---------|---|-------|--|--------|------|--------|-------|---|-----------|--|-------|--|--------|------|--------|-------|
| Serie  <table style="width:100%; border-collapse: collapse; margin-top: 10px;"> <tr><td>1:10,4*</td><td>→</td></tr> <tr><td>2:10,5*</td><td>→</td></tr> <tr><td>3:10,8*</td><td>↓</td></tr> <tr><td>4:10,4*</td><td>↘</td></tr> <tr><td>5:10,3*</td><td>←</td></tr> <tr><td colspan="2"><hr/></td></tr> <tr><td>Serie:</td><td style="text-align: right;">52,4</td></tr> <tr><td>Summa:</td><td style="text-align: right;">447,4</td></tr> </table> | 1:10,4* | → | 2:10,5* | → | 3:10,8* | ↓ | 4:10,4* | ↘ | 5:10,3* | ← | <hr/> | | Serie: | 52,4 | Summa: | 447,4 | Skott 1  <table style="width:100%; border-collapse: collapse; margin-top: 10px;"> <tr><td colspan="2" style="text-align: right;">1:10,8* →</td></tr> <tr><td colspan="2"><hr/></td></tr> <tr><td>Serie:</td><td style="text-align: right;">10,8</td></tr> <tr><td>Summa:</td><td style="text-align: right;">458,2</td></tr> </table> | 1:10,8* → | | <hr/> | | Serie: | 10,8 | Summa: | 458,2 |
| 1:10,4* | → | | | | | | | | | | | | | | | | | | | | | | | | |
| 2:10,5* | → | | | | | | | | | | | | | | | | | | | | | | | | |
| 3:10,8* | ↓ | | | | | | | | | | | | | | | | | | | | | | | | |
| 4:10,4* | ↘ | | | | | | | | | | | | | | | | | | | | | | | | |
| 5:10,3* | ← | | | | | | | | | | | | | | | | | | | | | | | | |
| <hr/> | | | | | | | | | | | | | | | | | | | | | | | | | |
| Serie: | 52,4 | | | | | | | | | | | | | | | | | | | | | | | | |
| Summa: | 447,4 | | | | | | | | | | | | | | | | | | | | | | | | |
| 1:10,8* → | | | | | | | | | | | | | | | | | | | | | | | | | |
| <hr/> | | | | | | | | | | | | | | | | | | | | | | | | | |
| Serie: | 10,8 | | | | | | | | | | | | | | | | | | | | | | | | |
| Summa: | 458,2 | | | | | | | | | | | | | | | | | | | | | | | | |

| | | | | | | | | | | | | | | | | | |
|--|-----------|--|-------|--|--------|------|--------|-------|--|-----------|--|-------|--|--------|------|--------|-------|
| Skott 2  <table style="width:100%; border-collapse: collapse; margin-top: 10px;"> <tr><td colspan="2" style="text-align: right;">1:10,7* →</td></tr> <tr><td colspan="2"><hr/></td></tr> <tr><td>Serie:</td><td style="text-align: right;">10,7</td></tr> <tr><td>Summa:</td><td style="text-align: right;">468,9</td></tr> </table> | 1:10,7* → | | <hr/> | | Serie: | 10,7 | Summa: | 468,9 | Skott 3  <table style="width:100%; border-collapse: collapse; margin-top: 10px;"> <tr><td colspan="2" style="text-align: right;">1:10,7* ↘</td></tr> <tr><td colspan="2"><hr/></td></tr> <tr><td>Serie:</td><td style="text-align: right;">10,7</td></tr> <tr><td>Summa:</td><td style="text-align: right;">479,6</td></tr> </table> | 1:10,7* ↘ | | <hr/> | | Serie: | 10,7 | Summa: | 479,6 |
| 1:10,7* → | | | | | | | | | | | | | | | | | |
| <hr/> | | | | | | | | | | | | | | | | | |
| Serie: | 10,7 | | | | | | | | | | | | | | | | |
| Summa: | 468,9 | | | | | | | | | | | | | | | | |
| 1:10,7* ↘ | | | | | | | | | | | | | | | | | |
| <hr/> | | | | | | | | | | | | | | | | | |
| Serie: | 10,7 | | | | | | | | | | | | | | | | |
| Summa: | 479,6 | | | | | | | | | | | | | | | | |

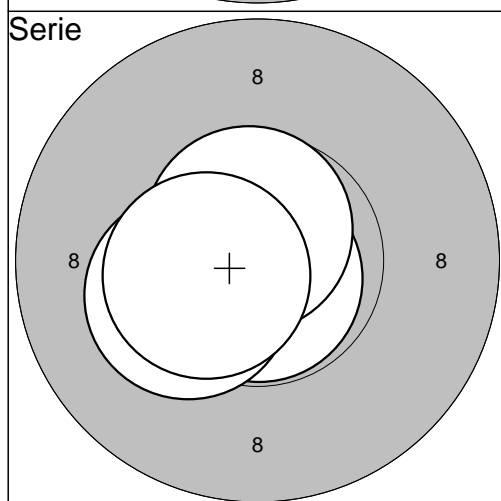
| | | | | | | | | | | | | | | | | | |
|--|----------|--|-------|--|--------|-----|--------|-------|--|-----------|--|-------|--|--------|------|--------|-------|
| Skott 4  <table style="width:100%; border-collapse: collapse; margin-top: 10px;"> <tr><td colspan="2" style="text-align: right;">1: 9,9 ↗</td></tr> <tr><td colspan="2"><hr/></td></tr> <tr><td>Serie:</td><td style="text-align: right;">9,9</td></tr> <tr><td>Summa:</td><td style="text-align: right;">489,5</td></tr> </table> | 1: 9,9 ↗ | | <hr/> | | Serie: | 9,9 | Summa: | 489,5 | Skott 5  <table style="width:100%; border-collapse: collapse; margin-top: 10px;"> <tr><td colspan="2" style="text-align: right;">1:10,8* ↘</td></tr> <tr><td colspan="2"><hr/></td></tr> <tr><td>Serie:</td><td style="text-align: right;">10,8</td></tr> <tr><td>Summa:</td><td style="text-align: right;">500,3</td></tr> </table> | 1:10,8* ↘ | | <hr/> | | Serie: | 10,8 | Summa: | 500,3 |
| 1: 9,9 ↗ | | | | | | | | | | | | | | | | | |
| <hr/> | | | | | | | | | | | | | | | | | |
| Serie: | 9,9 | | | | | | | | | | | | | | | | |
| Summa: | 489,5 | | | | | | | | | | | | | | | | |
| 1:10,8* ↘ | | | | | | | | | | | | | | | | | |
| <hr/> | | | | | | | | | | | | | | | | | |
| Serie: | 10,8 | | | | | | | | | | | | | | | | |
| Summa: | 500,3 | | | | | | | | | | | | | | | | |



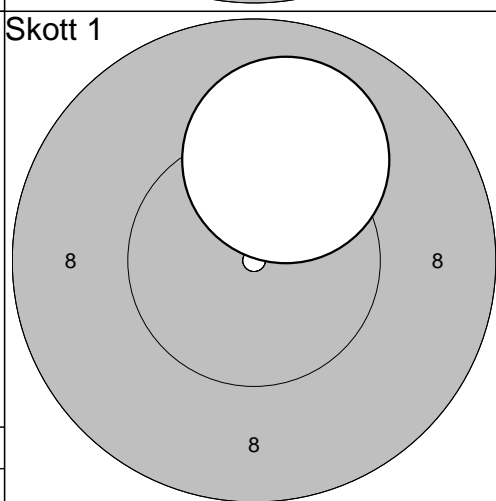
| | |
|---------------------|---|
| 1: 9,6 | ↗ |
| 2: 9,8 | ↗ |
| 3: 9,7 | ↗ |
| 4: 10,6* | ↗ |
| 5: 10,2* | ↗ |
| 6: 10,6* | ↗ |
| 7: 10,8* | ↗ |
| 8: 10,5* | ↘ |
| 9: 10,7* | ↗ |
| 10: 10,4* | ↗ |
| Serie: 102,9 | |
| Summa: 395,0 | |



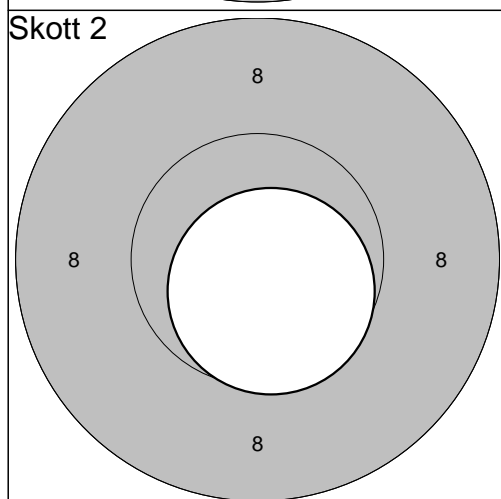
| | |
|---------------------|---|
| 11: 10,2* | ↘ |
| 12: 10,9* | ↘ |
| Serie: 21,1 | |
| Summa: 395,0 | |



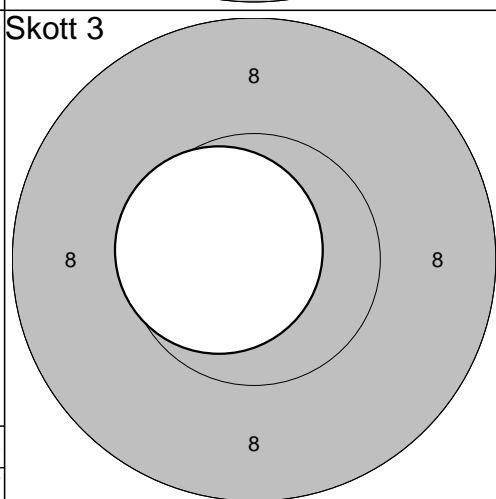
| | |
|---------------------|---|
| 1: 10,8* | ← |
| 2: 10,8* | ↘ |
| 3: 10,7* | ↗ |
| 4: 10,3* | ← |
| 5: 10,5* | ← |
| Serie: 53,1 | |
| Summa: 448,1 | |



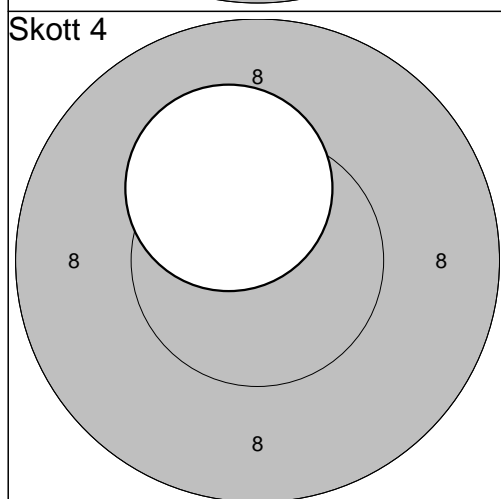
| | |
|---------------------|---|
| 1: 10,0 | ↗ |
| Serie: 10,0 | |
| Summa: 458,1 | |



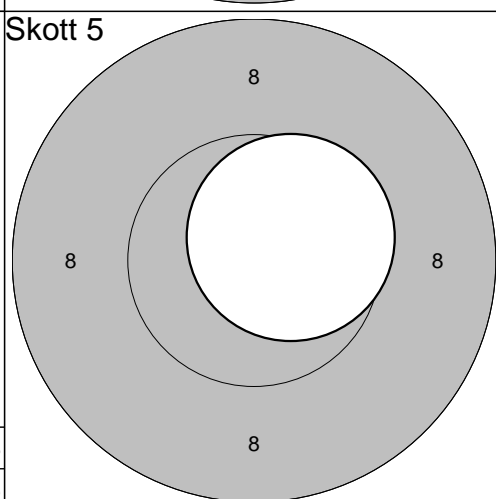
| | |
|---------------------|---|
| 1: 10,6* | ↘ |
| Serie: 10,6 | |
| Summa: 468,7 | |



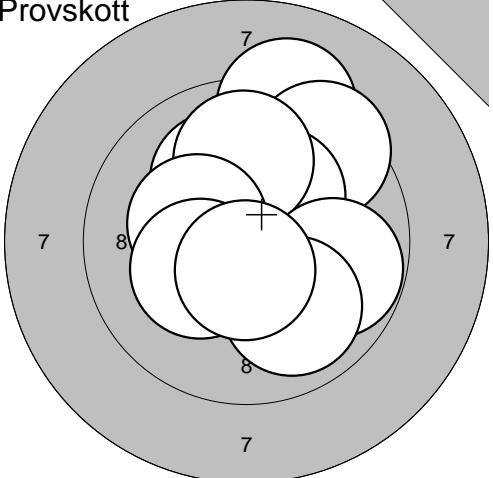
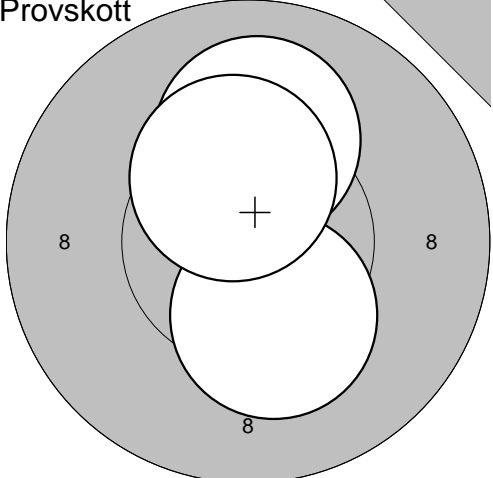
| | |
|---------------------|---|
| 1: 10,6* | ← |
| Serie: 10,6 | |
| Summa: 479,3 | |

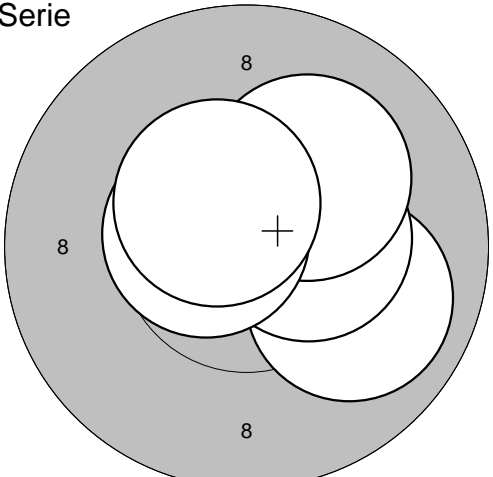
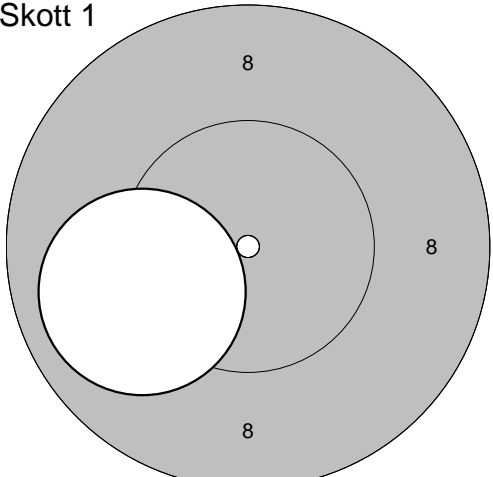


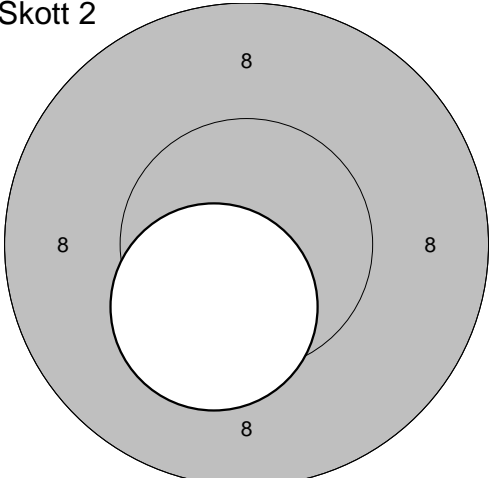
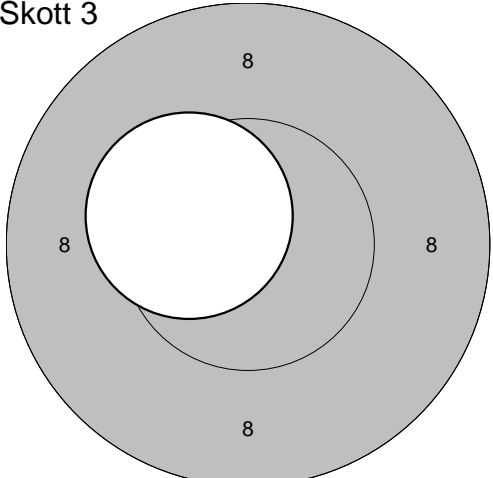
| | |
|---------------------|---|
| 1: 10,3* | ↖ |
| Serie: 10,3 | |
| Summa: 489,6 | |

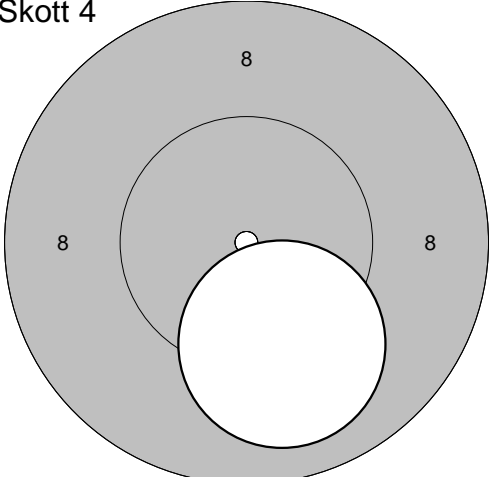
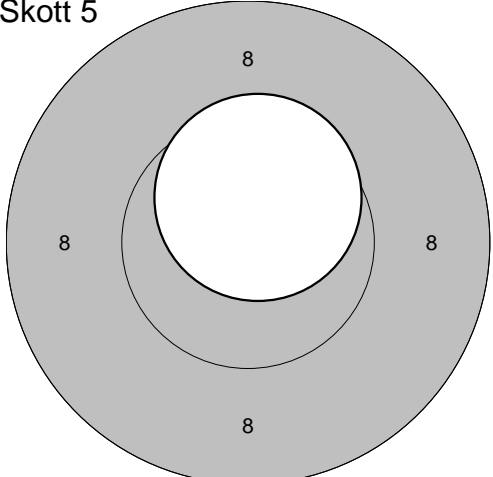


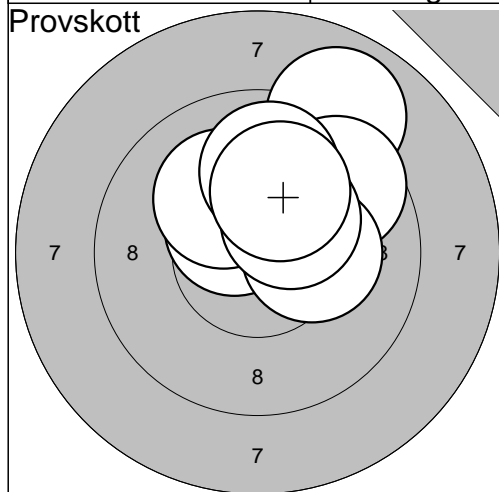
| | |
|---------------------|---|
| 1: 10,6* | ↗ |
| Serie: 10,6 | |
| Summa: 500,2 | |

| | | | |
|--|--|--|--|
| Provskott  | 1:10,1 ↖ 2: 9,2 ↑ 3: 9,4 ↗ 4:10,3* ↗ 5: 9,9 ↑ 6: 9,8 → 7: 9,9 ↘ 8:10,3* ↖ 9:10,3* ↖ 10:10,6* ↓ <hr/> Serie: 99,8 Summa: 393,0 | Provskott  | 11:10,3* ↓ 12:10,1 ↑ 13:10,4* ↑ <hr/> Serie: 30,8 Summa: 393,0 |
|--|--|--|--|

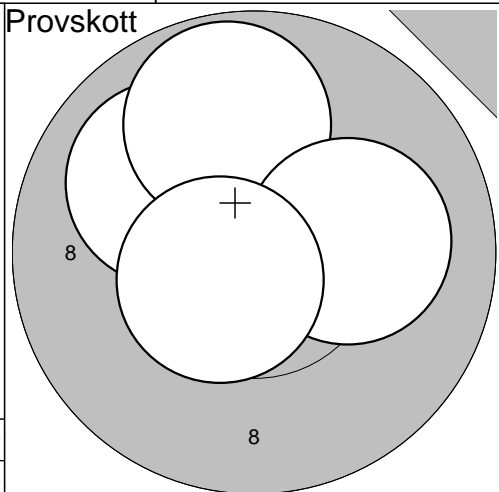
| | | | |
|---|---|---|---|
| Serie  | 1:10,0 → 2:10,4* → 3:10,2* ↗ 4:10,6* ↖ 5:10,5* ↗ <hr/> Serie: 51,7 Summa: 444,7 | Skott 1  | 1:10,0 ← <hr/> Serie: 10,0 Summa: 454,7 |
|---|---|---|---|

| | | | |
|--|--|--|--|
| Skott 2  | 1:10,3* ↓ <hr/> Serie: 10,3 Summa: 465,0 | Skott 3  | 1:10,4* ← <hr/> Serie: 10,4 Summa: 475,4 |
|--|--|--|--|

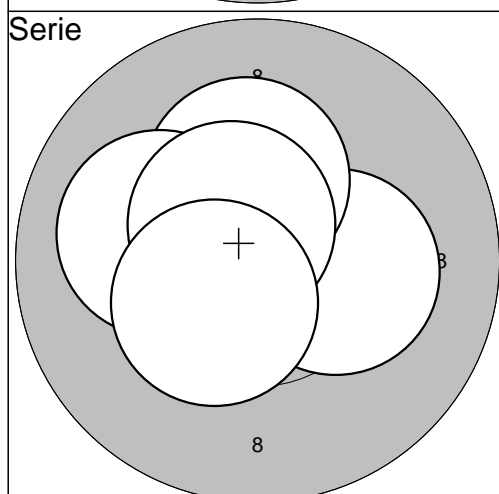
| | | | |
|--|---|--|--|
| Skott 4  | 1:10,0 ↓ <hr/> Serie: 10,0 Summa: 485,4 | Skott 5  | 1:10,6* ↑ <hr/> Serie: 10,6 Summa: 496,0 |
|--|---|--|--|



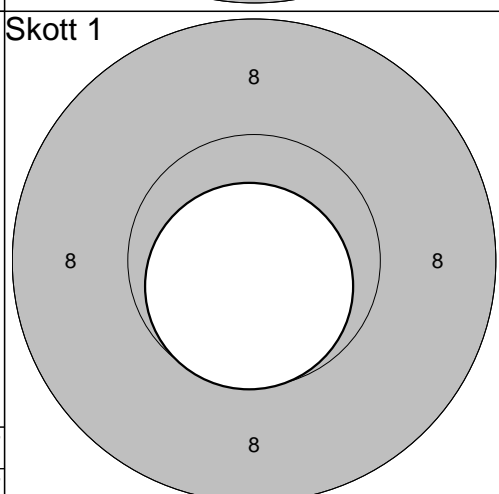
| | |
|--------------|---|
| 1:10,3* | ↗ |
| 2: 8,9 | ↑ |
| 3: 9,6 | ↗ |
| 4:10,5* | ↗ |
| 5:10,2* | → |
| 6:10,1 | ↑ |
| 7:10,1 | ↖ |
| 8:10,3* | ↗ |
| 9: 9,9 | ↑ |
| 10:10,1 | ↑ |
| Serie: 100,0 | |
| Summa: 393,0 | |



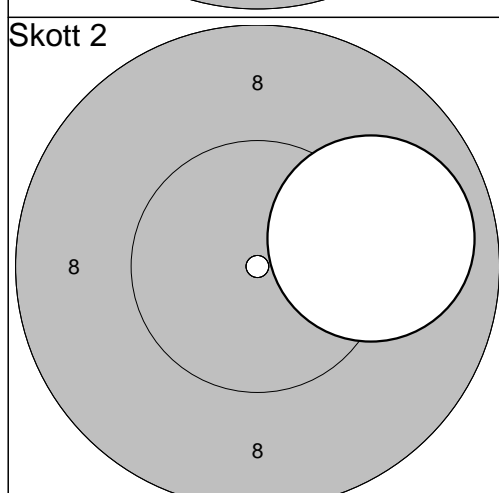
| | |
|--------------|---|
| 11:10,5* | ↗ |
| 12:10,1 | ↑ |
| 13:10,0 | ↖ |
| 14: 9,8 | ↑ |
| 15:10,1 | → |
| 16:10,6* | ↙ |
| Serie: 61,1 | |
| Summa: 393,0 | |



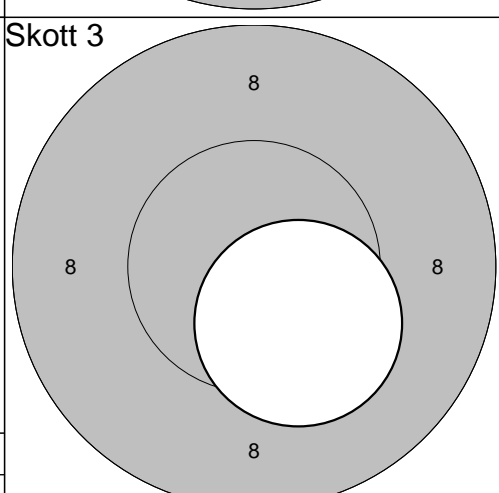
| | |
|--------------|---|
| 1:10,3* | → |
| 2:10,3* | ↑ |
| 3:10,1 | ↖ |
| 4:10,6* | ↗ |
| 5:10,4* | ↙ |
| Serie: 51,7 | |
| Summa: 444,7 | |



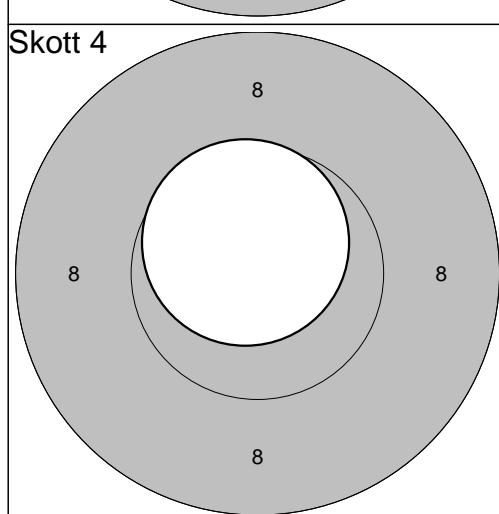
| | |
|--------------|---|
| 1:10,7* | ↓ |
| Serie: 10,7 | |
| Summa: 455,4 | |



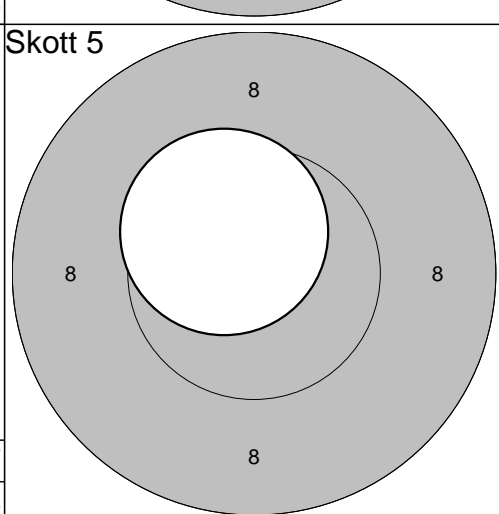
| | |
|--------------|---|
| 1: 9,9 | → |
| Serie: 9,9 | |
| Summa: 465,3 | |



| | |
|--------------|---|
| 1:10,3* | ↘ |
| Serie: 10,3 | |
| Summa: 475,6 | |



| | |
|--------------|---|
| 1:10,7* | ↖ |
| Serie: 10,7 | |
| Summa: 486,3 | |



| | |
|--------------|---|
| 1:10,5* | ↖ |
| Serie: 10,5 | |
| Summa: 496,8 | |